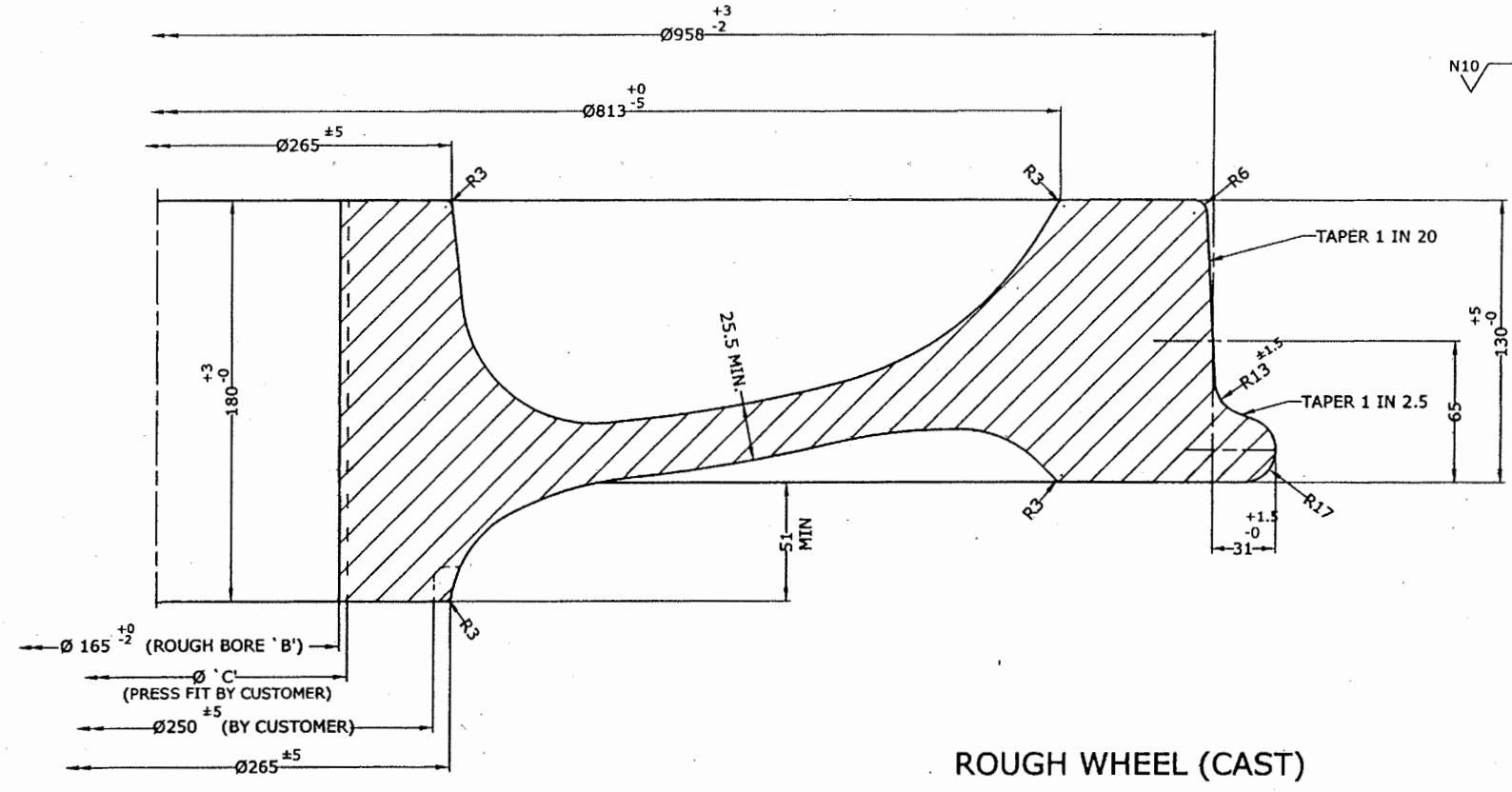


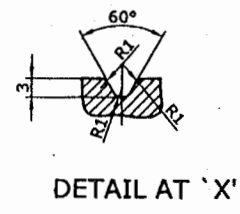
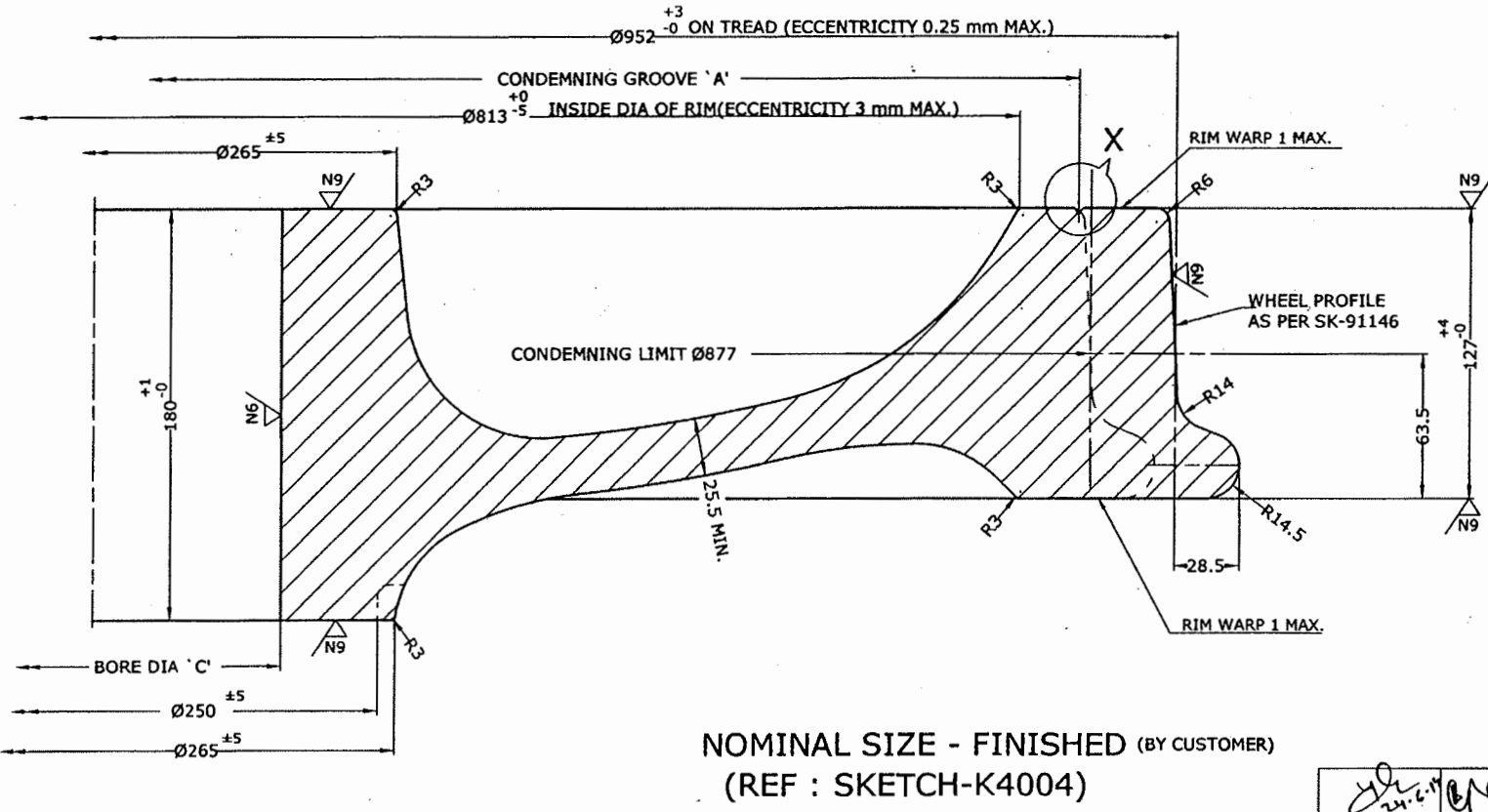
DO NOT SCALE DRAWING

ALT	DESCRIPTION	JOB No.	APPROVED
(a)	REVISED AND RE-DRAWN AS PER RDSO LETTER No. MC/EMU/WTA dt. 12.02.14.	6287	/
(b)	CONDEMNING LIMIT DIA SHOWN AS PER RDSO LETTER No. MC/EMU/WTA dt. 07.05.14.	6316	/
(c)	REVISED AND RE-DRAWN AS PER RDSO LETTER No. MC/EMU/WTA dt. 12.06.14.	6347	<i>[Signature]</i>



- NOTE :
- ALL DIMENSIONS ARE IN 'mm' UNLESS OTHERWISE SPECIFIED.
  - REFERENCE DRAWING : EMU/M-0-1-004 , EMU-0-1-004 & M/s GRIFFIN DRG. No. XW 37.5-M-225.
  - WHEN WHEELS ARE GAUGED WITH A STRAIGHT EDGE APPLIED TO THE BACK FACE OF RIM NO POINT ON BACK FACE OF RIM SHALL BE MORE THAN 1 mm FROM STRAIGHT EDGE.
  - THE THICKNESS OF THE HUB WALL IN ANY ONE WHEEL MEASURED AT ANY TWO POINTS EQUIDISTANT FROM THE FACE OF THE HUB SHALL NOT VARY BY MORE THAN 2 mm WHEN MACHINED.
  - ROTUNDITY : TREAD WHEN GAUGED WITH A RING GAUGE MUST NOT HAVE OPENING BETWEEN TREAD AND THE GAUGE AT ANY POINT OVER 0.5 mm.
  - ECCENTRICITY BETWEEN THE ROUGH BORE AND TREAD MEASURED IN THE PLANE OF THE TAPING LINE SHALL NOT EXCEED 3 mm.
  - SPECIFICATION : IRS- R19/93 PART III - CLASS - A.
  - ESTIMATED ROUGH WEIGHT : 485 kgs.

AXLE DRG. No.	FINISH BORE 'C'
EMU-0-2-005	172 <sup>-0.25</sup> / <sub>-0.30</sub>
WTAC <sub>3</sub> -0-2-301	178 <sup>-0.25</sup> / <sub>-0.30</sub>
DC/EMU/H2-0-1-202	193 <sup>-0.26</sup> / <sub>-0.31</sub>
AC/DC/EMU/B-0-2-002	193 <sup>-0.26</sup> / <sub>-0.31</sub>



DIA	TRAILER COACH		
	20.32 t	16.25 t	13 t
A	865 <sup>+1</sup> / <sub>-0</sub>	865 <sup>+1</sup> / <sub>-0</sub>	865 <sup>+1</sup> / <sub>-0</sub>
C	193 <sup>-0.26</sup> / <sub>-0.31</sub>	178 <sup>-0.25</sup> / <sub>-0.30</sub>	172 <sup>-0.25</sup> / <sub>-0.30</sub>

INDIAN RAILWAYS		REF DRG.
CAST STEEL WHEEL FOR EMU COACHES	SCALE	AME/D <i>[Signature]</i> 24.06.14
	SSE/D	<i>[Signature]</i> 24.06.2014
	CHD	
	DRN	J N R 09.04.14
RAIL WHEEL FACTORY BANGALORE		DRG.No. <b>RWF-W-111</b>
JOB No. 6287	SHEET OF	

<i>[Signature]</i>	<i>[Signature]</i>	<i>[Signature]</i>
APPROVED	REVIEWED	VERIFIED

ALL DIMENSIONS ARE IN mm UNLESS SPECIFIED OTHERWISE.  
PERMISSIBLE DEVIATION FOR UNTOLERANCED DIMENSIONS AS PER IS:2102 CLASS 'm'